

Wallrack Box Includes:

- 2 - Wallracks #17502 14-1/2" H x 22-1/2" L.
- 1 - #17550 Hardware kit J consisting of:
 - #17505 - (4) - 5/16 x 2-1/2" Ceramic Bronze Screws (fits T-30 star bit)
 - #17504 - (4) - 5/16 Lag Shield

Tools & Materials Needed:

- | | |
|-------------------------|-----------------------------|
| Power Drill | T-30 star drill bit |
| Drill bit for 1/2" hole | Pencil |
| Hammer | Screw driver bit (flathead) |
| Concrete adhesive | Wrench |

Notes:

- Identify placement of first rack prior to installation
- Mark location of all holes to be drilled prior to installation
- Wood/drywall installation - make sure each Wallrack lines up evenly with studs
- Concrete/masonry installation - avoid installation at the masonry joints
- Only one wallrack is needed per bike
- Hardware provided is not recommended for steel stud installation
- Hardware provided is not recommended for brick wall installation - use a 5/16 x 2-1/2" long bolt with an adhesive
- If there are concerns that the back bike tire will mark the wall when the rack is in use - consider installation of a second wall rack, some sort of bar, or a piece of oil tempered masonite to protect the wall

Step 1:

Determine location for each Wallrack. Space racks 16" apart with a 12" vertical offset for handlebar clearance and ease of use. (Refer to figures at left for height placement and minimum clearance.)

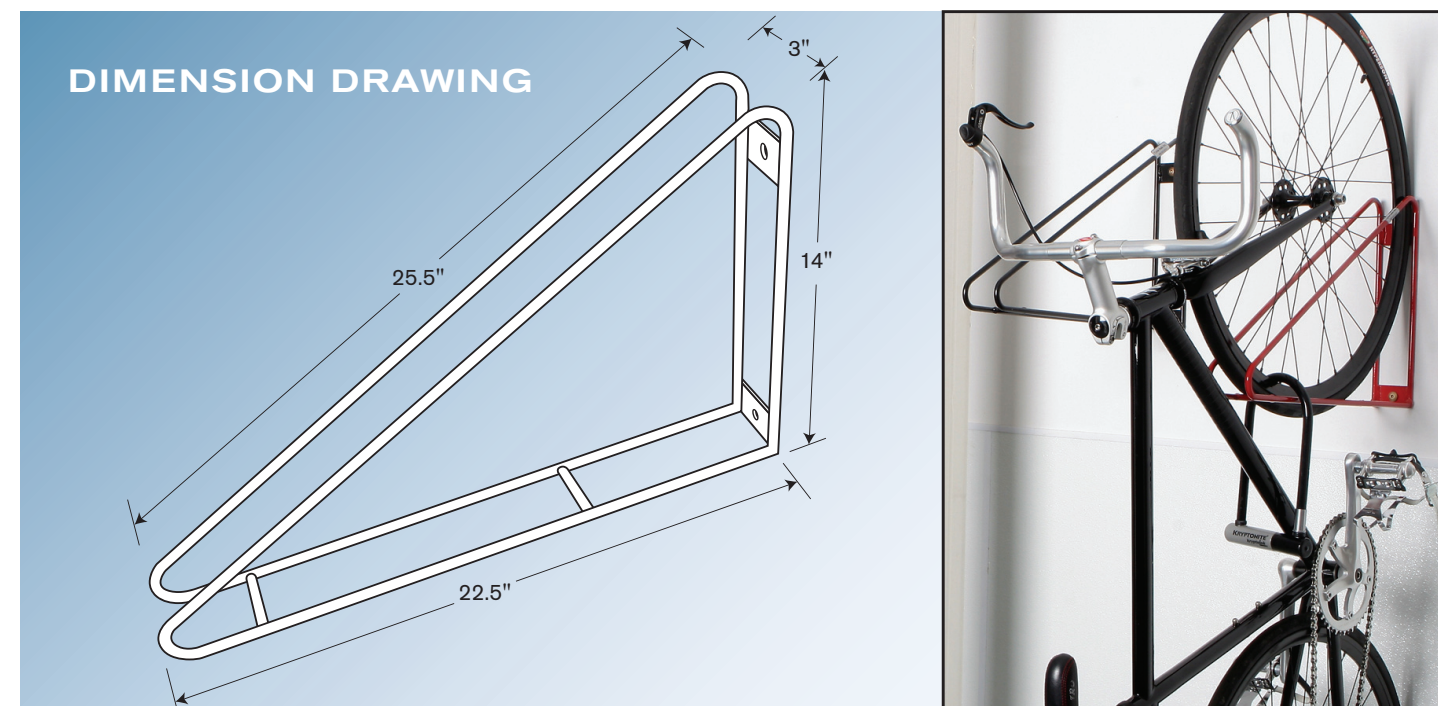
Step 2:

Using the Wallrack as a template, mark position for both bolts. The distance between the 2 holes is 12 inches. Repeat this process for remaining Wallracks. Mark all locations prior to installation of first Wallrack.

Step 3:

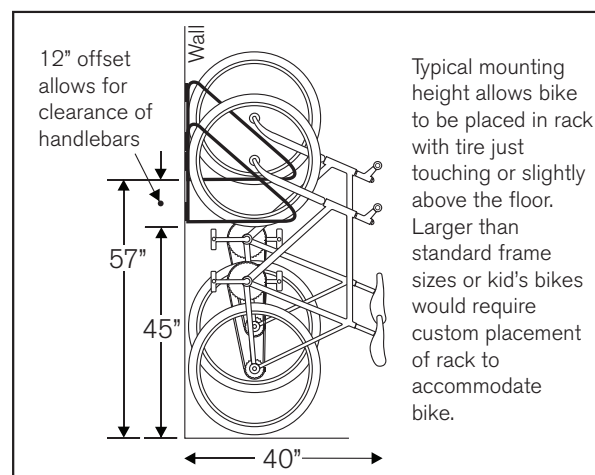
Wood/drywall installation: A 1/8" pilot hole can be pre-drilled as an option. Line up the Wallrack with the template marks from step 2. Self drill the bolts into the wall with a power drill and T-30 star bit, securing the Wallrack to the wall. Tighten bolts.

Concrete installation: Using the template marks created in step 2, with a power drill and 1/2" drill bit, pre-drill 1/2" holes for the lag shields. Blow dust out of hole. Apply concrete adhesive. Tap lag shields into holes with a hammer. Wipe off any excess adhesive. Allow adhesive to set according to manufacturer's instructions. Place the Wallrack over the lag shields and screw the lag bolts into the lag shields. Tighten bolts with wrench. **Do Not Overtighten!** Lag bolts should only be wrench snug.

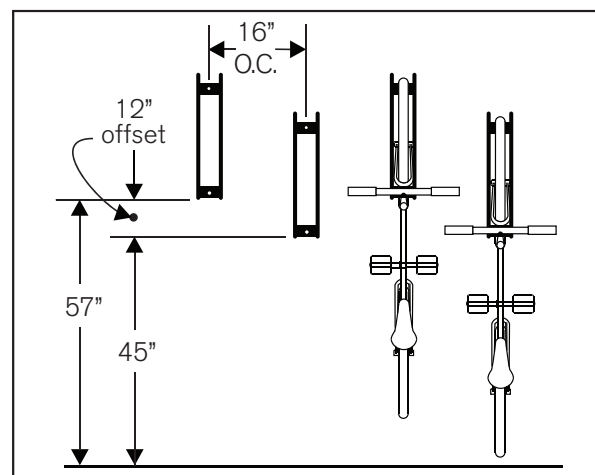


One bike capacity protects bike frame, and allows for hanging gear

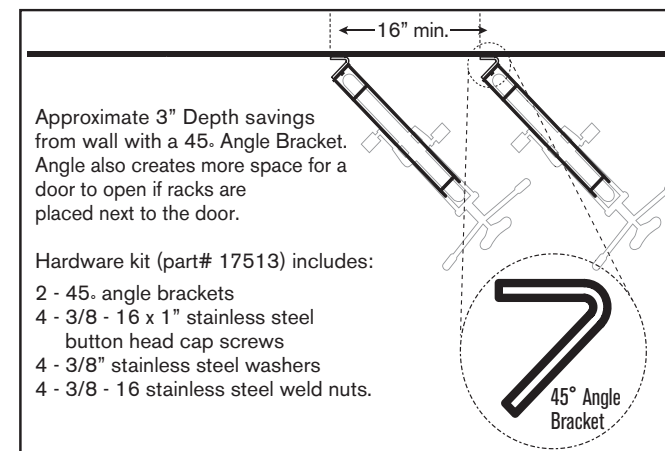
U-Lock compatible to secure bike and frame



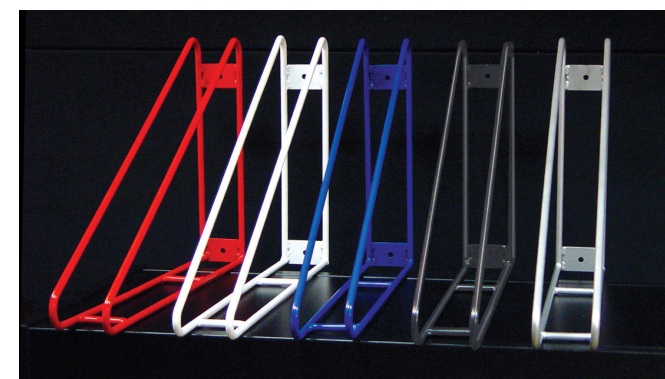
Racks on wall mount offset (side view)



Multiple racks on wall mount offset



Additional space saving with use of 45° Angle Bracket



Available in several standard colors to coordinate with existing color schemes.

ORDER INFORMATION:

- Wallrack #17502 - (R) red, (BL) blue, (BK) black, (S) silver
- Stainless Steel #17503 upon request
- Concrete lag shield #17504
- Extra lag screw #17505
- 45° angle bracket #17513

SPECIFICATIONS:

- Heavy duty 3/8" wire frame
- Durable polyester powder coat finish
- Tamper resistant lag screws included
- Concrete lag shield available upon request
- Optional 45° angle bracket
- Custom colors upon request

